

**NEW**

## Compact and powerful!

### Technical Data

#### Dimensions

Length x width x height <sup>1</sup>	967 x 934 x 395 mm	38 x 36 x 15,5 in
Distance between crusher tips, max.	560 mm	22 in

#### Weight

Total weight <sup>1</sup>	360 kg	794 lbs
Recommended weight of carrier, max. <sup>2</sup>	5,5 - 9 t	12125 - 19842 lbs

#### Hydraulic connection

Pressure max.	250 bar	3626 psi
Oil flow max.	100 l/min	27 gal/min

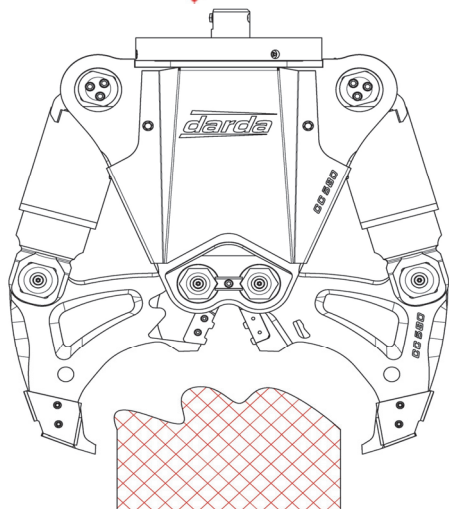
#### Performance

Crushing force A max.	530 kN (54 t)	119050 lb
Crushing force B max.	667 kN (78 t)	171961 lb
Crushing force C max.	814 kN (95 t)	209439 lb
Cutting capacity max.	1x Ø30 mm	1x Ø1,2 in

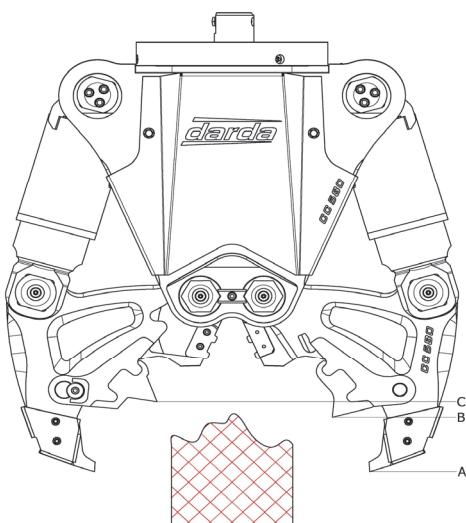
<sup>1</sup> Value without support plate

<sup>2</sup> Depends on carrying capacity table of the mini-excavator manufacturer

[Mounting plates of different carriers on request](#)



Crusher with standard tips



Crusher with additional teeth



**darda**®

*We've got the power.*

Darda GmbH  
 Im Tal 1, D-78176 Blumberg  
 Fon + 49 (0) 77 02 / 43 91 - 0  
 Fax + 49 (0) 77 02 / 43 91 - 12  
 info@darda.de  
 www.darda.de

Our distributor: