

NEW

Compact and powerful!

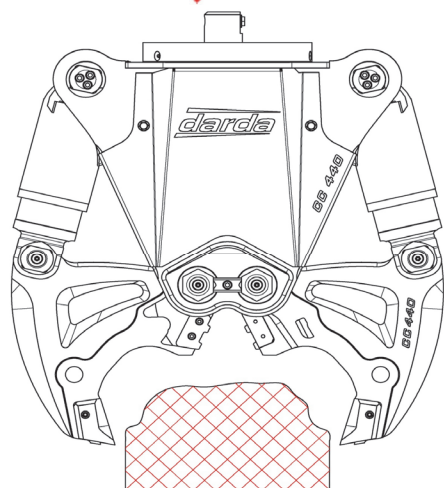
Technical Data

Dimensions		
Length x width x height ¹	868 x 846 x 330 mm	35 x 33 x 13 in
Opening width	440 mm	17 in
Weight		
Total weight ¹	235 kg	518 lbs
Recommended weight of carrier, max. ²	2,5 - 4,5 t	5510 - 9920 lbs
Hydraulic connection		
Pressure max.	250 bar	3626 psi
Oil flow max.	100 l/min	27 gal/min
Performance		
Crushing force A max.	431 kN (44 t)	97003 lb
Crushing force B max.	568 kN (58 t)	127868 lb
Crushing force C max.	765 kN (78 t)	171960 lb
Cutting capacity max.	1x Ø30 mm	1x Ø1,2 in

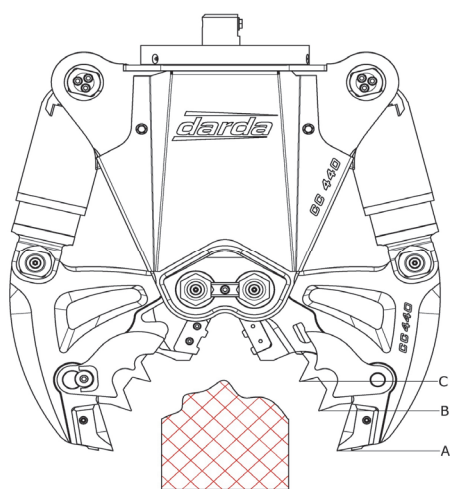
¹ Value without support plate

² Depends on carrying capacity table of the mini-excavator manufacturer

[Mounting plates of different carriers on request](#)



Crusher with standard tips



Crusher with additional teeth



darda®

We've got the power.

Darda GmbH
 Im Tal 1, D-78176 Blumberg
 Fon + 49 (0) 77 02 / 43 91 - 0
 Fax + 49 (0) 77 02 / 43 91 - 12
info@darda.de
www.darda.de

Our distributor: