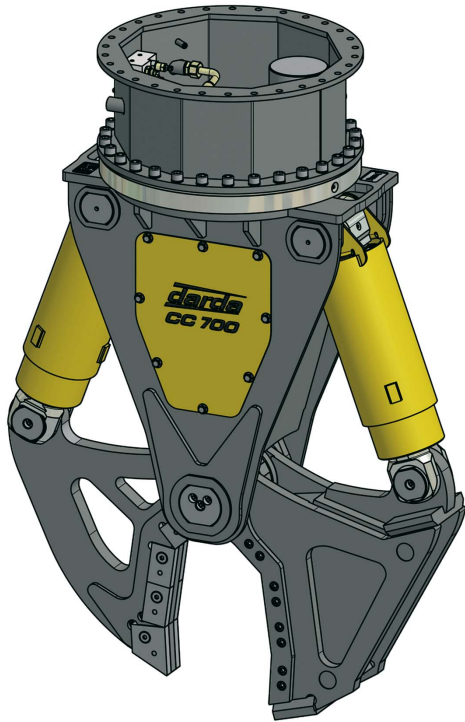


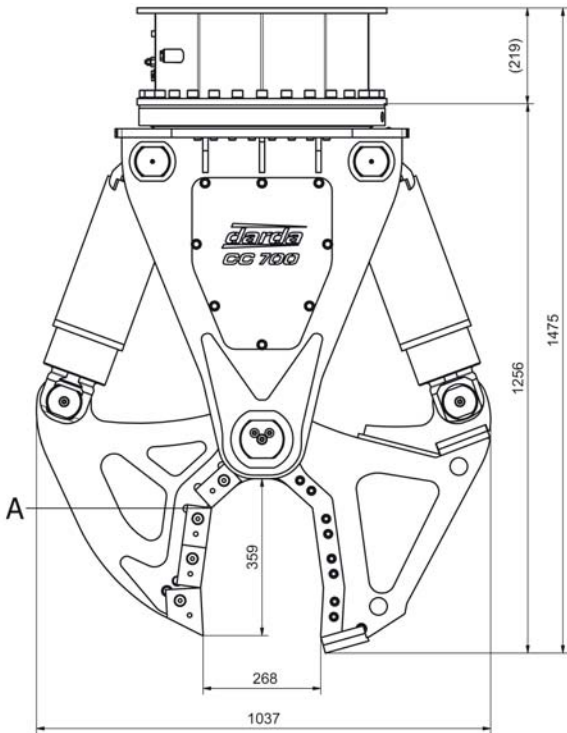
STEELCUTTER CC700S



Maximum force for powerful cuts!

Specifications CC 700 S

Measurements		
Total length ^{1,2}	1475 mm	58 inches
Total width ¹	1037 mm	41 inches
Total height	300 mm	12 inches
Opening width max.	268 mm	11 inches
Cutting depth, approx.	359 mm	14 inches
Weights		
Total weight with hydr. rotary drive and mounting plate, approx.	695 kg	1532 lbs
Total weight with hydr. rotary drive, without mounting plate, approx.	625 kg	1378 lbs
Recommended weight of carrier ³	7 - 15 t	15428 - 33060 lbs
Hydraulics		
Minimum pressure	17,5 MPa (175 bar)	2538 psi
Maximum pressure	27,0 MPa (270 bar)	3916 psi
Working pressure	50,0 MPa (500 bar)	7252 psi
Oil flow max.	150 l/min	39,6 US gal/min
Performance (at input pressure min 17,5 MPa (175 bar))		
A: Maximum cutting force	1840 kN (188t)	413648 lbf
Time to close ⁴	ca. 3 s	ca. 3 s
Time to open ⁴	ca. 2,5 s	ca. 2,5 s
Cutting capacity (Selection of profiles max.)		
I-profile DIN 1025 - S235 - IPE 200		
U-profile DIN 1026 - S235 - U 200		
H-profile DIN 1025 - S235 - HEA 180		
L-profile EN 10056 - S235 - 160x80x12		
Pipe EN10216 - X5CrNi18-10 - 168x7 (stainless steel)		



¹ When completely extended ² Without mounting plate, with rotary drive ³ Depends on carrying capacity table of the mini-excavator manufacturer ⁴ With maximum oil flow

[Mounting plates for different carriers on request](#)

darda[®]

We've got the power.

Darda GmbH
 Im Tal 1
 Fon + 49 (0) 77 02 / 43 91 - 0
 Fax + 49 (0) 77 02 / 43 91 - 12
 info@darda.de
www.darda.de

Our distributor: